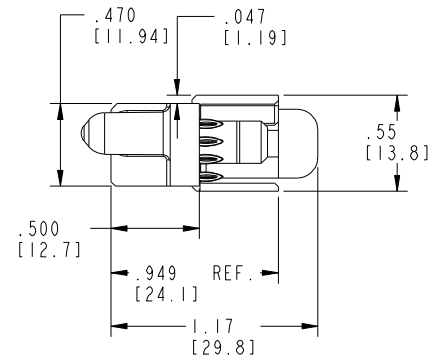
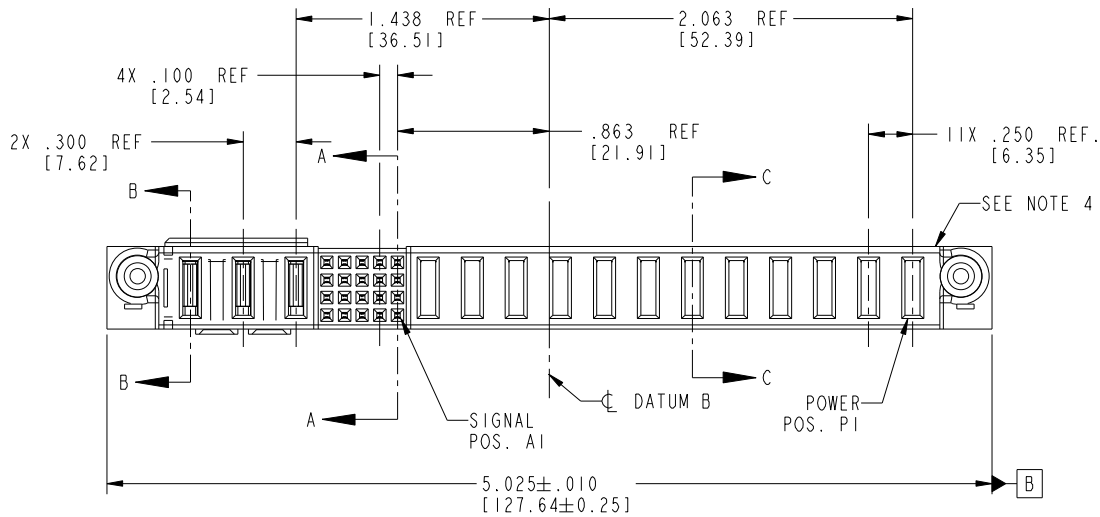
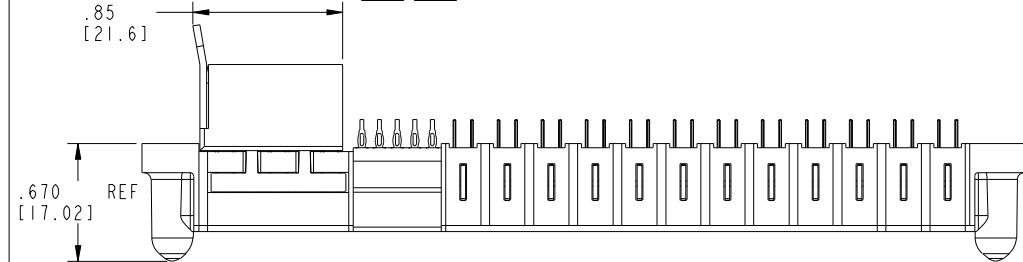


Tous droits strictement réservés. Reproduction ou communication à des tiers interdite sous quelque forme que ce soit sans autorisation écrite du propriétaire. Propriété de c.FCI. Droits de reproduction FCI.



All rights strictly reserved. Reproduction or issue to third parties in any form whatever is not permitted without written authority from the proprietor. Property of FCI. Copyright FCI.

PRODUCT NO.	ROWS	POWER			SIGNAL			POWER															
		E2	P15	P14	P13	5	4	3	2	1	P12	P11	P10	P9	P8	P7	P6	P5	P4	P3	P2	P1	E1
51897-007 NOTE: ③	D C B A		PH	PH	PG	F	F	F	F	F	F	F	F	F	F	F	F	F	F	F	F	F	



CODE	DIM "M"	MATING LENGTH	CONTACT TYPE
F	N/A	[N/A]	SIGNAL
PF	.092	[2.34]	POWER
PG	.042	[1.07]	POWER
PH	.092	[2.34]	POWER

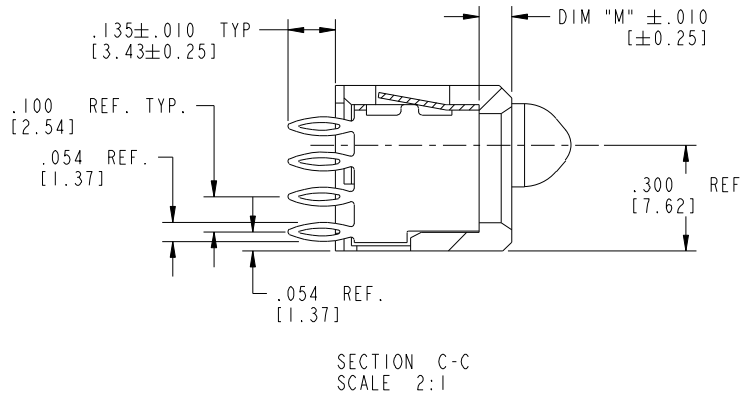
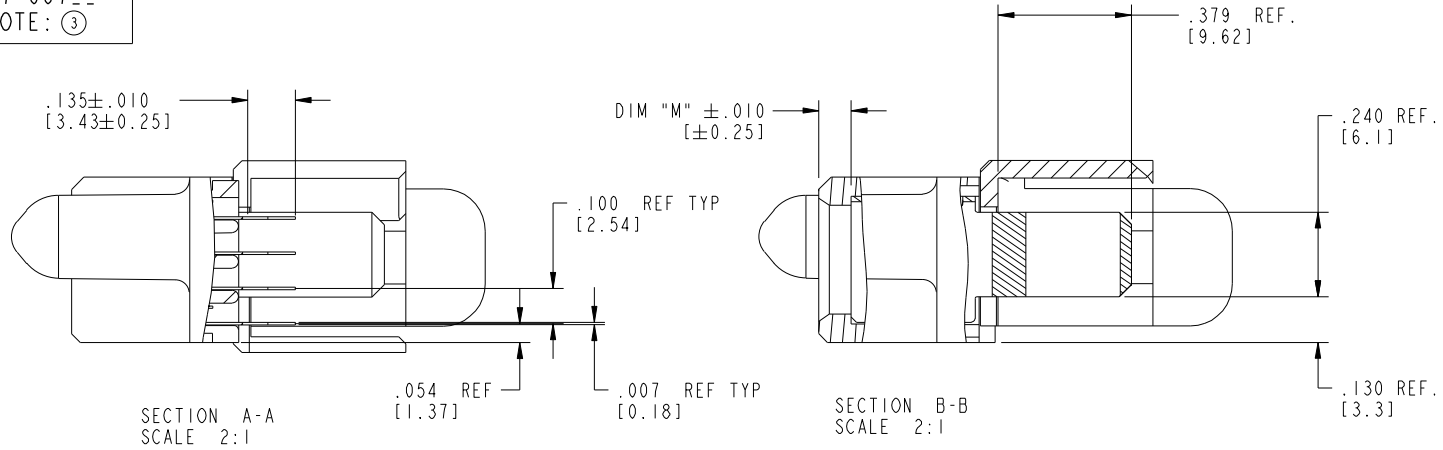
mat'l code				SEE NOTE 2		tolerances unless otherwise specified				CUSTOMER	
ltr	ecn no.	dr	date	linear	.XX±.01/0.X±0.3	COPY		www.fciconnect.com			
A	V03-1207	TAB	11/11/03	projection	.XXX±.005/0.XX±0.13	INCH/MM		title 12P + 20S + 3ACP			
B	DG05-0200	SJ	07/04/05	angles	.XXX±.0020/0.XXX±0.051	scale 1:1		product family PwrBlade code 213			
C	DG05-0210	SJ	07/05/05	dr	0°±2°	A		size dwg no 51897-007 sheet 1 of 5			
D	DG06-0381	HEAVEN	09/12/06	enr	M. MOSTOLLER 8/1/03	cage code 22526		Pro/E			
				chr	M. MOSTOLLER 8/1/03						
				appd	H. BREWBAKER 8/1/03						
					M. MOSTOLLER 8/1/03						
sheet index	revision sheet	D	D	D	D	D	D				
		1	2	3	4	5					

sheet index		revision sheet	D	D	D	D	D				
			1	2	3	4	5				

Tous droits strictement reserves. Reproduction ou communication a des tiers interdite sous quelque forme que ce soit sans autorisation écrite du propriétaire. Propriete de c FCI. Droits de reproduction FCI.

All rights strictly reserved. Reproduction or issue to third parties in any form whatever is not permitted without written authority from the proprietor. Property of FCI. Copyright FCI.

PRODUCT NUMBER  
51897-007--  
NOTE: ③



mat'l code		SEE NOTE 2		tolerances unless otherwise specified		CUSTOMER		FCJ	
ltr	ecn no.	dr	date	linear	.XX±.01/0.X±0.3	COPY		www.fciconnect.com	
D					.XXX±.005/0.XX±0.13	projection		title	
				angles	.XXX±.0020/0.XXX±0.051			12P + 20S + 3ACP VERT PRESS FIT RECEIPT CABLE PORT	
				dr	M. MOSTOLLER 8/1/03	INCH/MM		product family	
				enrg	M. MOSTOLLER 8/1/03	scale		PwrBlade	
				chr	H. BREWBAKER 8/1/03	1:1		code	
				appd	M. MOSTOLLER 8/1/03	A		213	
sheet index	revision sheet							size	
								dwg no	
								51897-007	
								sheet	
								2 of 5	

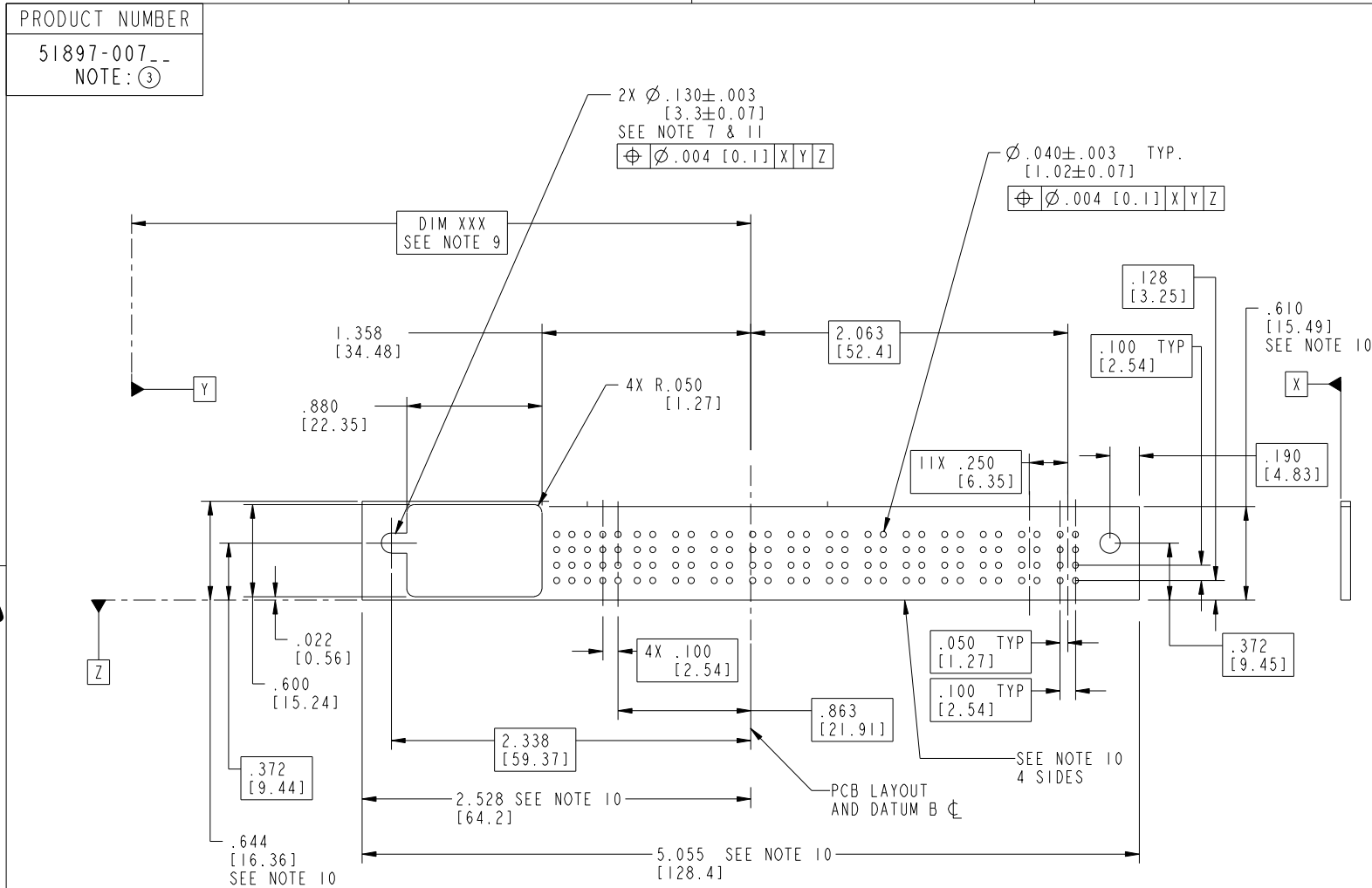
Pro/E

cage code 22526

Tous droits strictement réservés. Reproduction ou communication à des tiers interdite sous quelque forme que ce soit sans autorisation écrite du propriétaire. Propriété de c.FCI. Droits de reproduction FCI.



All rights strictly reserved. Reproduction or issue to third parties in any form whatever is not permitted without written authority from the proprietor. Property of FCI. Copyright FCI.



mat'l code		SEE NOTE 2		tolerances unless otherwise specified		CUSTOMER		 www.fciconnect.com	
ltr	ecn no.	dr	date	linear	.XX±.01/0.X±0.3		COPY		title 12P + 20S + 3ACP VERT PRESS FIT RECEIPT CABLE PORT
D					.XXX±.005/0.XX±0.13		projection		
					.XXX±.0020/0.XXX±0.051		 INCH/MM		
				angles	0°±2°		scale		product family
				dr	M. MOSTOLLER	8/1/03	1:1		PwrBlade
				enr	M. MOSTOLLER	8/1/03	A		code
				chr	H. BRENBAKER	8/1/03	size		213
				appd	M. MOSTOLLER	8/1/03	dwg no		sheet
sheet index		revision sheet						51897-007	
								3 of 5	

cage code 22526

Pro/E

All rights strictly reserved. Reproduction or issue to third parties in any form whatever is not permitted without written authority from the proprietor. Property of FCJ. Copyright FCJ.



Tous droits strictement reserves. Reproduction ou communication a des tiers interalle sous quelque forme que ce soit sans autorisation ecrite du proprietaire. Propriete de c FCJ. Droits de reproduction FCJ.

PRODUCT NUMBER  
51897-007--  
NOTE: ③

NOTES:

1. DIMENSIONS AND TOLERANCES ARE IN ACCORDANCE WITH ASME Y14.5M, 1994 UNLESS OTHERWISE SPECIFIED.

CONNECTOR NOTES:

2. HOUSING MATERIAL: UL 94 V-0 GLASS FILLED HIGH-TEMP THERMOPLASTIC  
POWER CONTACT MATERIAL: COPPER ALLOY  
SIGNAL PIN MATERIAL: COPPER ALLOY

③ PLATING SPEC:  
51897-007;51897-007LF;51897-007GLF PLATING SPEC. WAS SHOWN IN THE PRINT OF 10064183

4. MANUFACTURER'S NAME, P/N, AND DATE CODE TO APPEAR ON THIS SURFACE.

5. PRODUCT SPECIFICATION GS-12-149.  
APPLICATION SPECIFICATION BUS-20-067.

PCB NOTES:

6. ALL HOLE DIAMETERS ARE FINISHED HOLE SIZE.

7. MOUNTING HOLES, WHERE APPLICABLE, ARE UNPLATED.

8.  $\varnothing .0453 \pm .0010$  [1.151 $\pm$ 0.025] DRILLED HOLES PLATED WITH .0003 [0.008] MIN SnPb OR SN OVER .001 [0.03] TO .003 [0.08] Cu PLATING TO ACHIEVE  $\varnothing .040 \pm .003$  [1.02 $\pm$ .07] HOLE.

9. "DIM XXX" TO BE DETERMINED BY THE CUSTOMER.

10. CONNECTOR KEEP-OUT ZONE:

11. RECOMMENDED RETENTION TO PCB  
 $\varnothing .13$  [3.3] THRU HOLE FOR #5 SOCKET HEAD CAP SCREW  
MAX. HEAD .205 [5.21] RECOMMENDED SCREW LENGTH 12mm [.472] + PCB THICKNESS.  
RECOMMENDED SCREW SEATING TO PCB TORQUE: 2-5 lbf-in (2300-5760 gf-cm).

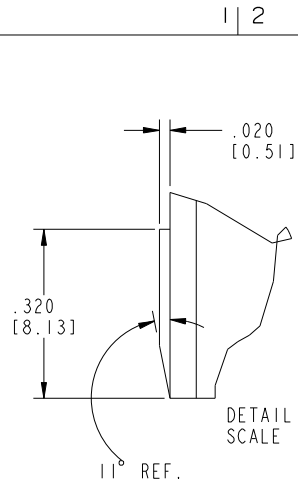
mat'l code		SEE NOTE 2		tolerances unless otherwise specified		CUSTOMER		FCJ		www.fciconnect.com	
ltr	ecn no.	dr	date	linear	.XX±.01/0.X±0.3		COPY		projection	title	
D					.XXX±.005/0.XX±0.13		INCH/MM			12P + 20S + 3ACP	
				angles	.XXXX±.0020/0.XXX±0.051		1:1		VERT PRESS FIT RECEPT CABLE PORT		
					0°±2°		A		product family		
				dr	M. MOSTOLLER	8/1/03	scale		PwrBlade		code
				enrg	M. MOSTOLLER	8/1/03	A		size		213
				chr	H. BREWBAKER	8/1/03	A		dwg no		sheet
				appd	M. MOSTOLLER	8/1/03	A		51897-007		4 of 5
sheet index	revision sheet										

cage code 22526

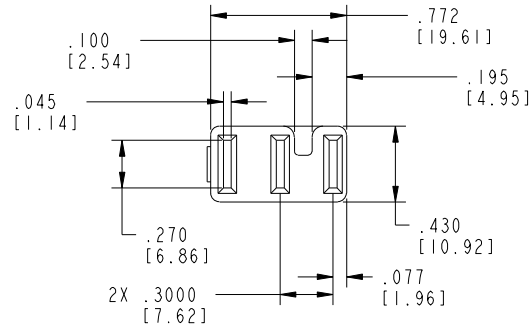
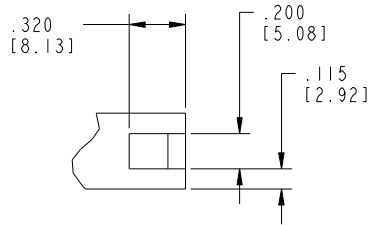
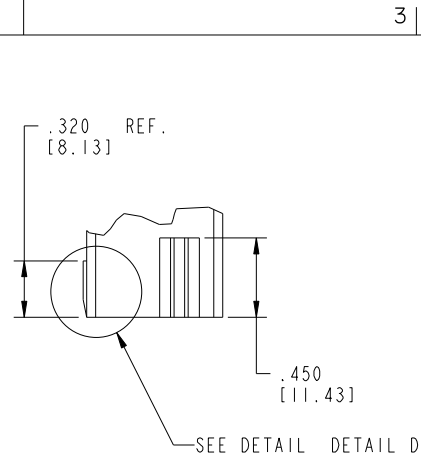
Tous droits strictement reserves. Reproduction ou communication a des tiers interdite sous quelque forme que ce soit sans autorisation écrite du propriétaire. Propriete de c FCI. Droits de reproduction FCI.



All rights strictly reserved. Reproduction or issue to third parties in any form whatever is not permitted without written authority from the proprietor. Property of FCI. Copyright FCI.



DETAIL D  
SCALE 3:1



**MATING CABLE PLUG (FOR REFERENCE ONLY)**

mat'l code		SEE NOTE 2		tolerances unless otherwise specified		CUSTOMER		 www.fciconnect.com	
ltr	ecn no.	dr	date	linear	.XX±.01/0.X±0.3		COPY		 title 12P + 20S + 3ACP VERT PRESS FIT RECEIPT CABLE PORT
D					.XXX±.005/0.XX±0.13		projection		
					.XXX±.0020/0.XXX±0.051		 INCH/MM		
				angles	0°±2°		product family PwrBlade		code 213
				dr	M. MOSTOLLER	8/1/03	size		dwg no 51897-007
				enrg	M. MOSTOLLER	8/1/03	scale		sheet 5 of 5
				chr	H. BREWBAKER	8/1/03	A		
				appd	M. MOSTOLLER	8/1/03	1:1		
sheet index	revision sheet								

cage code 22526

Pro/E